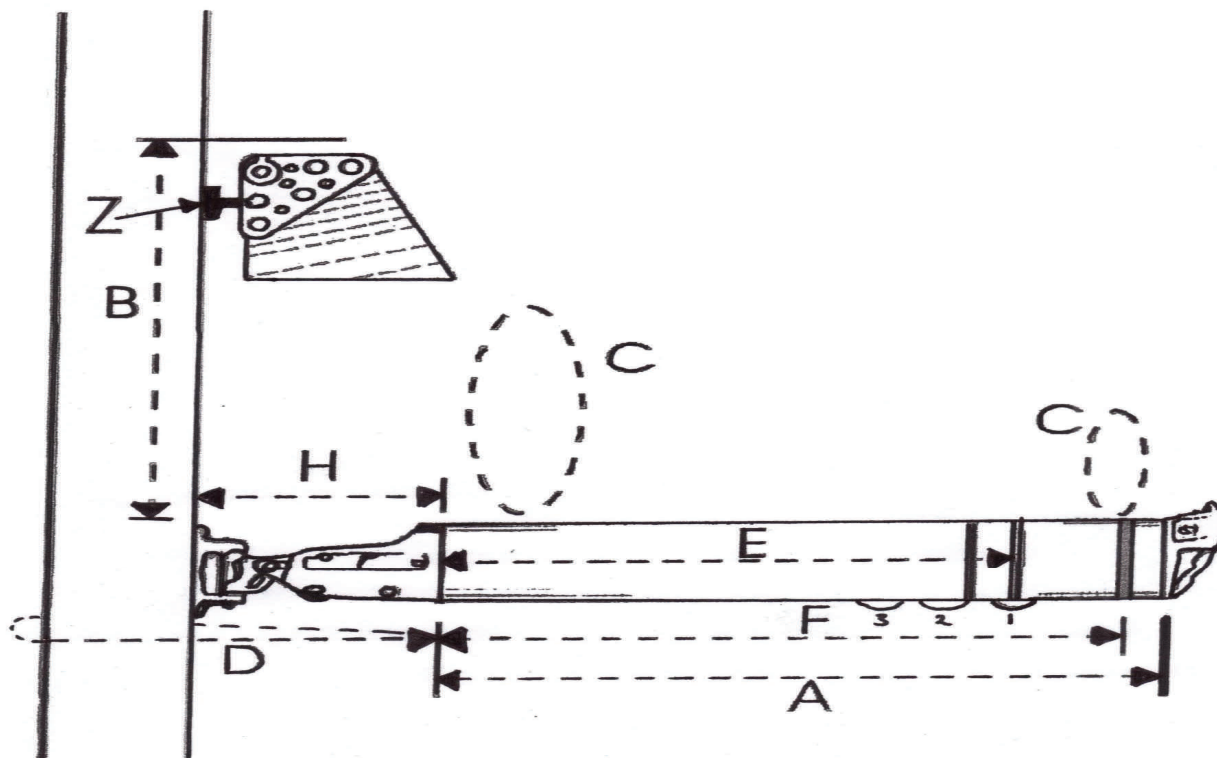


Stackaway Measurement Form



What to measure when sail is stowed on the boom		
A	Length of the boom excluding the ends.	
B	Height from the top of the sail to the top of the boom .	
C.1	Circumference of the sail at the clew end, excluding boom.	
C.2	Circumference of the sail at the luff end, excluding boom.	
D	From the boom end, around the mast to the boom end.	
E.1	From the front end of the boom to reef 1.	
E.2to reef 2.	
E.3to reef 3.	
F	Length of the foot on the sail.	
G	The mast circumference, to include halyards.	
H	Length of the boom end including the gooseneck.	
Z	Is there a slider fitted to the headboard ?	YES / NO
	Is there a clew slider fitted to the sail ?	YES / NO
	Is there a spinnaker ring or pole fitted to the mast.	RING / POLE
	Is the sail loose footed ?	YES / NO
	Do you require lazyjacks with your stackaway ?	YES / NO

Name.

Type of boat.

Colour required.