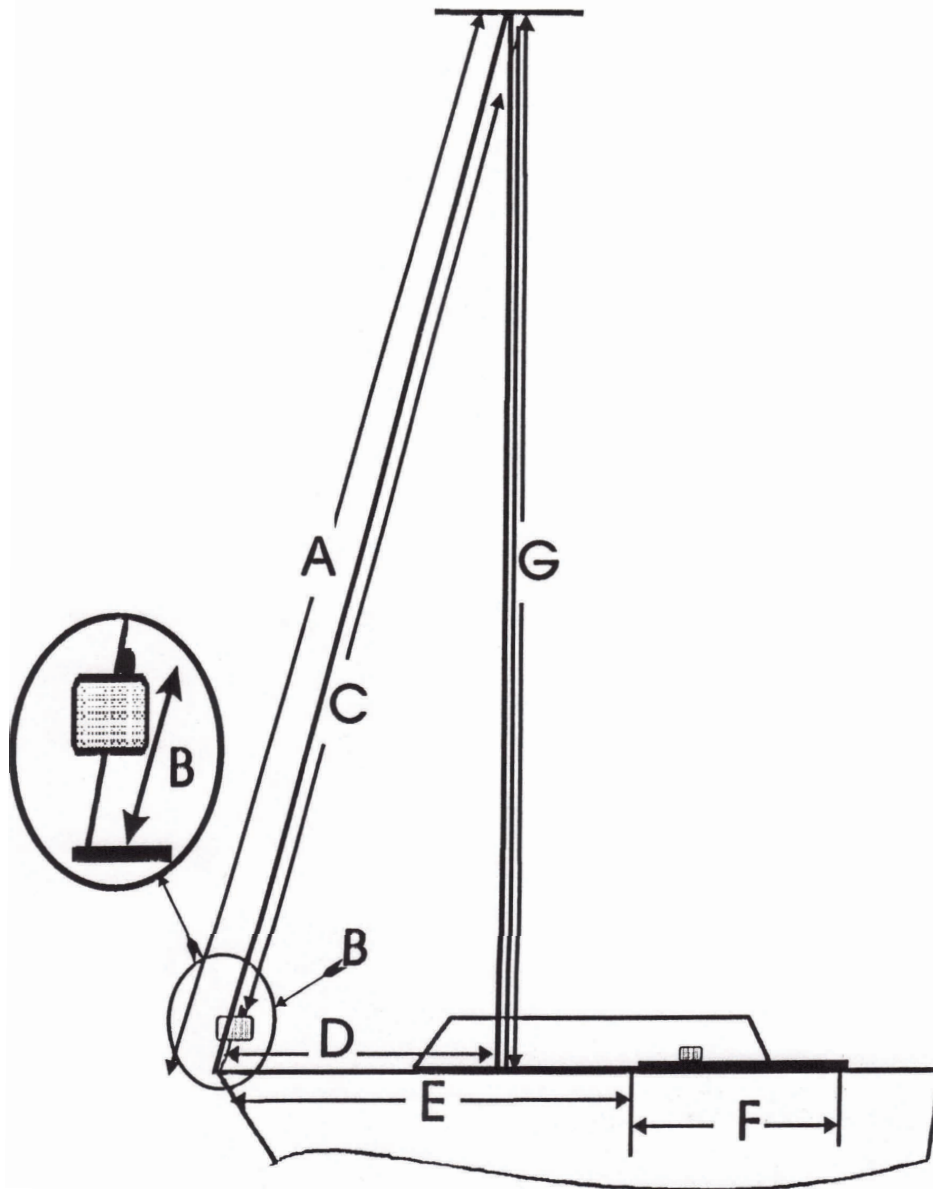


Roller Genoa Measurement Form



	Where to measure	
A	Length of forestay including the bottlescrew.	
B	Eye on drum to the stemhead.	
C	Maximum luff length (eye on drum to the bottom eye on traveller).	
D	Distance from stem to mast.	
E	Distance from stem to the sheeting track.	
F	Length of the track.	
G	Top of the forestay to the deck.	
H	Type and make of roller gear.	

Name.

Type of boat.